



# Specifications

## Descriptions

- Scale-free
- G½" inlet female
- Stainless steel

## Available colors

- C : Chrome

## Available flow

- 7.6 L/min, 2.0 gpm (US) 60psi

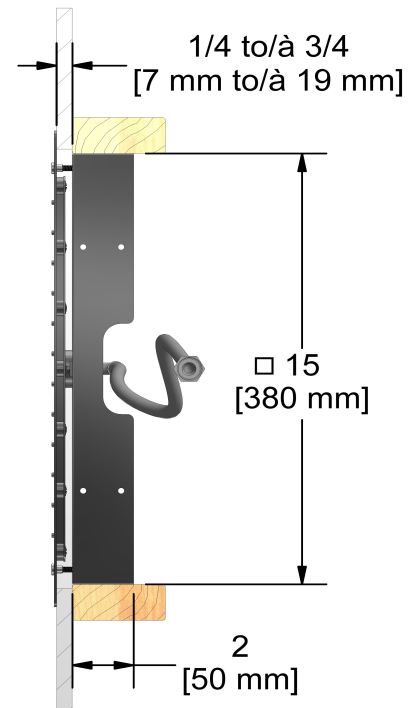
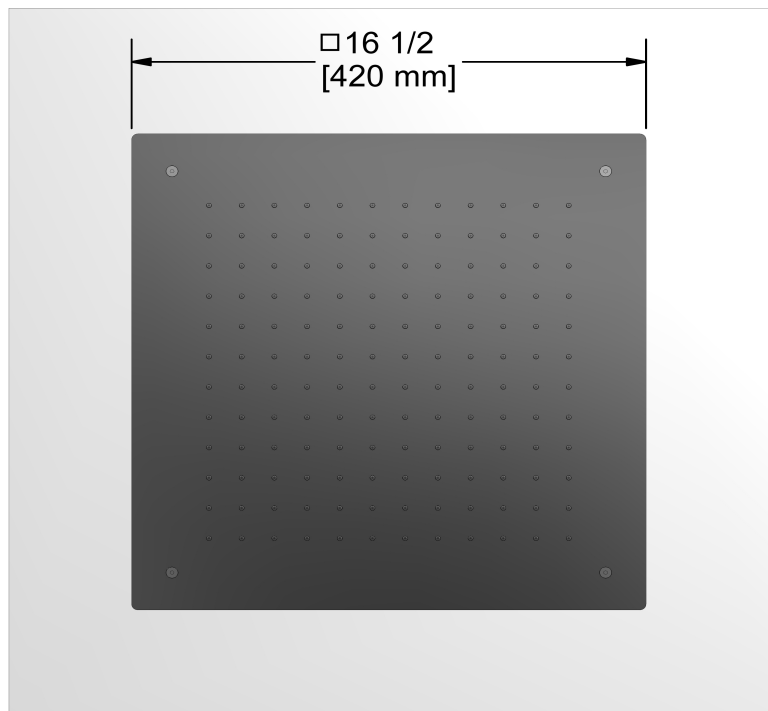
## Certifications

- CSA B125.1
- ASME A112.18.1
- CMR248 Approval

42 cm (16½") built-in shower head  
485



cUPC®



Sizes, models and finishes may differ from those presented.

## Warranty

This Riobel Inc. product you have purchased carries a Limited Lifetime Warranty on the chrome, PVD finish, blacks and all working parts and is guaranteed from the initial purchase date against all manufacturing defects. All other finishes, including plastic components, are guaranteed for one year. All electric and/or electronic parts are covered by a 5-year limited warranty. The warranty offered on our products will be honored only if the installation is performed by a certified master plumber.

## Customer Care

Phone (800) 777 - 9762 | Email: [customer-care@houseofrohl.com](mailto:customer-care@houseofrohl.com) | Website: [houseofrohl.com/support/contact-us](http://houseofrohl.com/support/contact-us)

Consult your local House of Rohl showroom for additional information and specifications. For complete warranty details and a list of showrooms, go to [houseofrohl.com](http://houseofrohl.com)